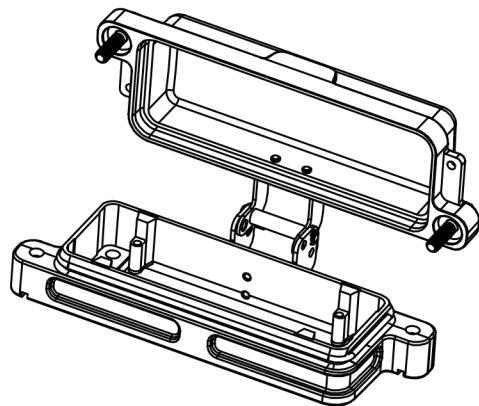


面板开孔图  
Panel cut out

△ 配套HC650插芯使用时此开孔宽度为45mm, 配套HC250插芯使用时此开孔宽度为40mm,  
Match with insert HC650, the distance between the two openings is 45mm,  
match with insert HC250, the distance between the two openings is 40mm.



技术参数:

- 材料: 压铸铝
- 盖子材料: 压铸铝
- 表面处理: 粉末喷涂
- 颜色: RAL 9005 (黑色)
- 温度范围:  $-40^{\circ}\text{C}$  -  $+125^{\circ}\text{C}$
- 防护等级: IP68/IP69K
- 出线方向: 底部出线
- 密封元件: NBR

Technical specification:

- Material: aluminium die-cast
- Material,cover: aluminium die-cast
- Surface: powder-coated
- Colour: RAL 9005(black)
- Temperature range:  $-40^{\circ}\text{C}$  -  $+125^{\circ}\text{C}$
- Degree of protection: IP68/IP69K
- Cable entry: bottom entry
- Hoods/Housings sealing: NBR

		订货号 Order No.	
		产品代号 Part Code	
版本 REV	重量 weight	比例 Scale	SO-HP24B/H-ST-MCV-2H
V1.0		1:1	



浙江思美克电气科技有限公司  
ZHEJIANG SMICO ELECTRICAL TECHNOLOGY CO.,LTD